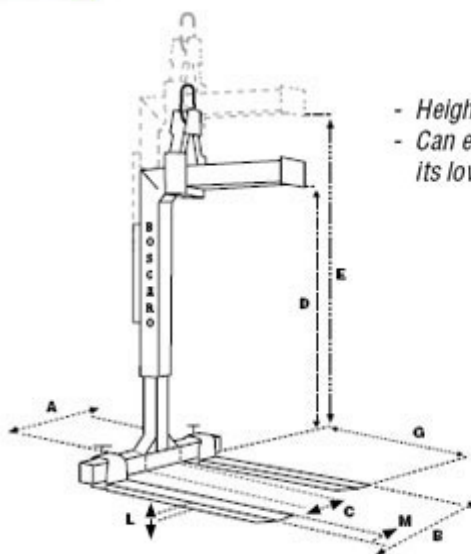
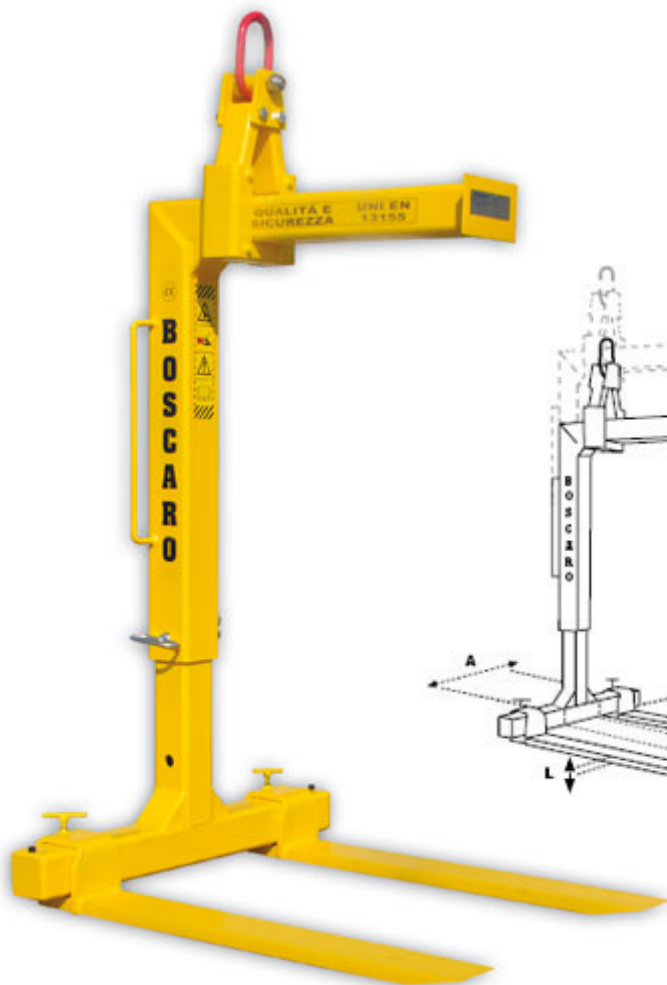


FURCA DE MACARA MODEL MBR – M



- Height and width adjustable
- Can easily be used with mobile/truck cranes due to its lower height

MODEL	CAPACITATE (kg)	A	B	C	D	E	G	L	M	GREUTATE PROPRIE (kg)
MBR-15M	1500	950	1000	400	1100	1640	1000	30	90	155
MBR-20M	2000	950	1000	400	1100	1640	1000	35	100	170
MBR-25M	2500	1000	1400	300	1100	1640	1000	35	120	175
MBR-30M	3000	1000	1400	300	1100	1640	1000	35	120	185