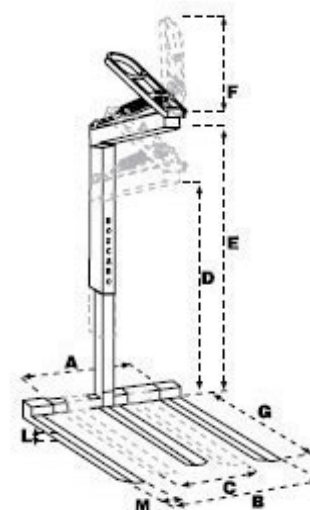


FURCA DE MACARA MODEL MBRA-ZN MODEL ZINCAT



MODEL	CAPACITATE (kg)	A	B	C	D	E	F	G	L	M	GREUTATE PROPRIE (kg)
MBRA-10ZN	1000	1000	1000	300	1000	1450	700	1000	25	90	135
MBRA-15ZN	1500	1000	1000	300	1000	1600	700	1000	30	90	155
MBRA-20ZN	2000	1000	1000	300	1200	1800	700	1000	35	100	180
MBRA-25ZN	2500	1000	1000	300	1200	1800	700	1000	35	120	248
MBRA-30ZN	3000	1000	1000	300	1200	1800	700	1000	35	120	255